

## YIN YANG

Can be installed on Verso 350, 536, 790, Intraslim

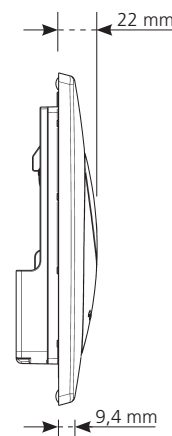
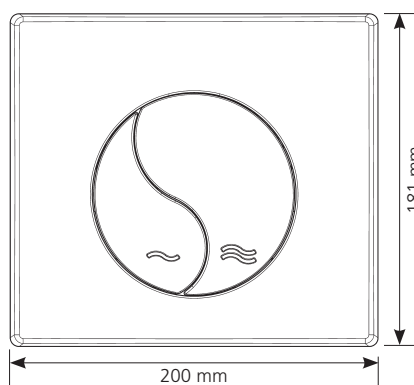


White



### FEATURES

- Zen design
- Made of ABS
- Decorative versions:
  - White
  - Bright chrome (bright chrome for plate and large button and matt chrome aspect for small button)
  - Matt chrome (matt chrome aspect for plate and large button, bright chrome for small button bright)
- Double flush
- Mechanical actuation
- Actuation force below 20 Newton
- Smooth actuating screws to avoid operating noise
- Hand cuttable fixing and actuation screws for adapting length to cladding
- Can be used as hatch for reaching cistern equipment
- Thickness of the cladding (between 16 and 100 mm.)
- Frame back pads to allow support on the cladding



Bright chrome



Matt chrome

## GLOBE

Can be installed on Verso 350, 536, 790, Intraslim

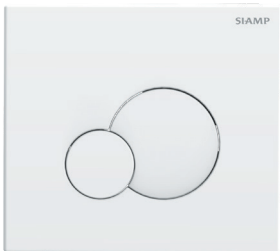


Bright chrome



### FEATURES

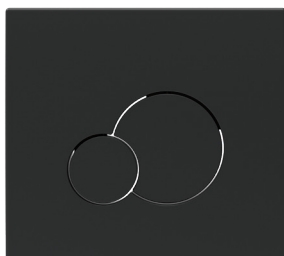
- Modern design
- Made from ABS
- Dual flush
- Mechanical actuation
- Actuation force below 20 Newton
- Smooth actuating screws to avoid operating noise
- Hand cuttable fixing and actuation screws for adapting length to cladding
- Frame back pads to allow support on the cladding
- Flush plate serves as an access point for reaching the cistern inner equipments
- Cladding thickness between 16 and 100 mm



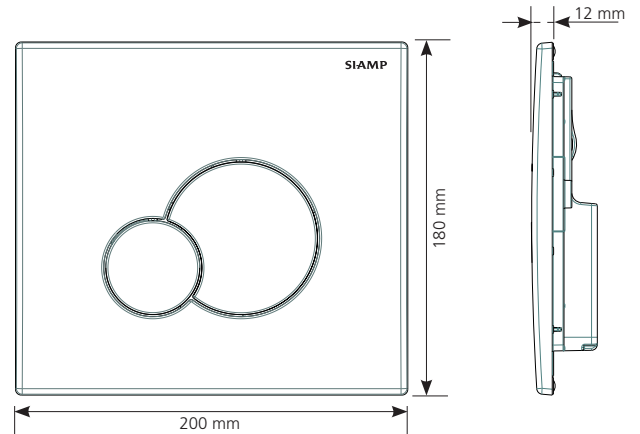
White



Mat chrome aspect

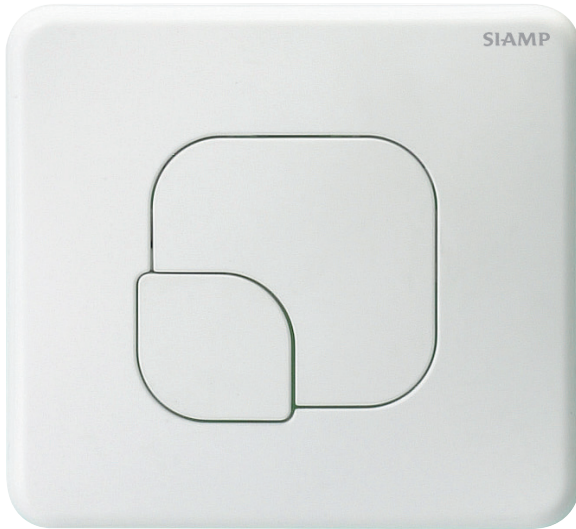


Black



## LEMON

Can be installed on Verso 350, 536, 790, Intraslim



White



### FEATURES

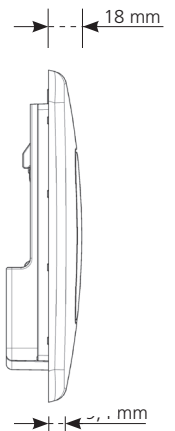
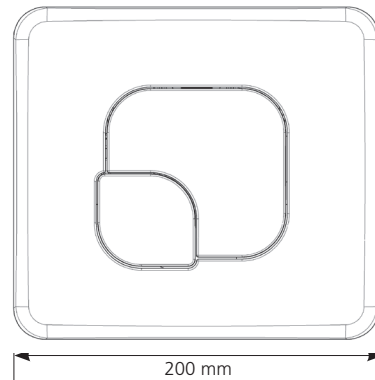
- Lemon design
- Made of ABS
- Decorative versions:
  - White
  - Bright chrome (bright chrome for plate and large button and matt chrome aspect for small button)
  - Matt chrome (matt chrome aspect for plate and large button, bright chrome for small button bright)
- Double flush
- Mechanical actuation
- Actuation force below 20 Newton
- Smooth actuating screws to avoid operating noise
- Hand cuttable fixing and actuation screws for adapting length to cladding
- Can be used as hatch for reaching cistern equipment
- Thickness of the cladding (between 16 and 100 mm.)
- Frame back pads to allow support on the cladding



Bright chrome



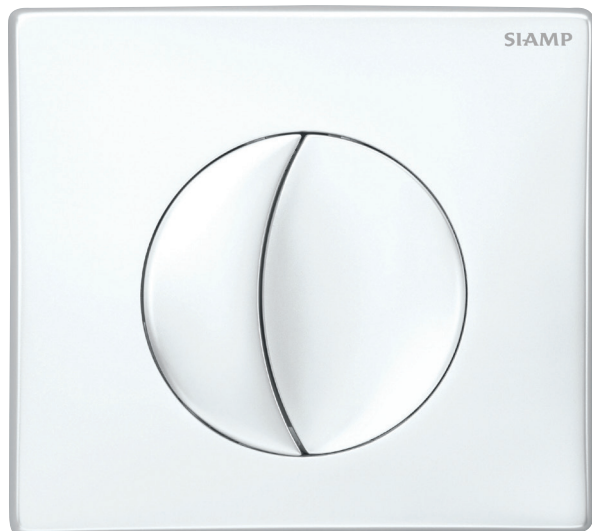
Matt chrome



	Reference	Barcode	Packing	Packing			Pallet quantity
				Nb	L. x p. x h. (mm)	Kg	
LEMON Bright chrome	31 1814 10	3 24723 001680 8	Box	1	216 x 193 x 44	0,40	40
LEMON White	31 1810 10	3 24723 001677 8	Box	1	216 x 193 x 44	0,40	40
LEMON Mat Chrome Aspect	31 1813 10	3 24723 001679 2	Box	1	216 x 193 x 44	0,40	40

## MOON

Can be installed on Verso 350, 536, 790, Intraslim

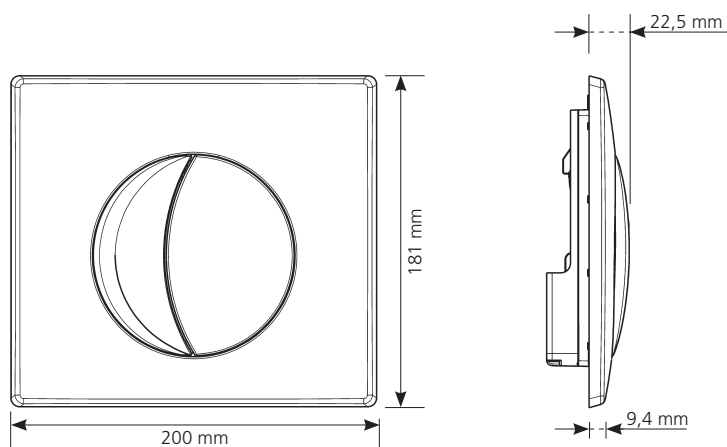


White



### FEATURES

- Moon design
- Made of ABS
- Decorative versions:
  - White
  - Bright chrome (bright chrome for plate and large button and matt chrome aspect for small button)
  - Matt chrome (matt chrome aspect for plate and large button, bright chrome for small button bright)
- Double flush
- Mechanical actuation
- Actuation force below 20 Newton
- Smooth actuating screws to avoid operating noise
- Hand cuttable fixing and actuation screws for adapting length to cladding
- Can be used as hatch for reaching cistern equipment
- Thickness of the cladding (between 16 and 100 mm.)
- Frame back pads to allow support on the cladding



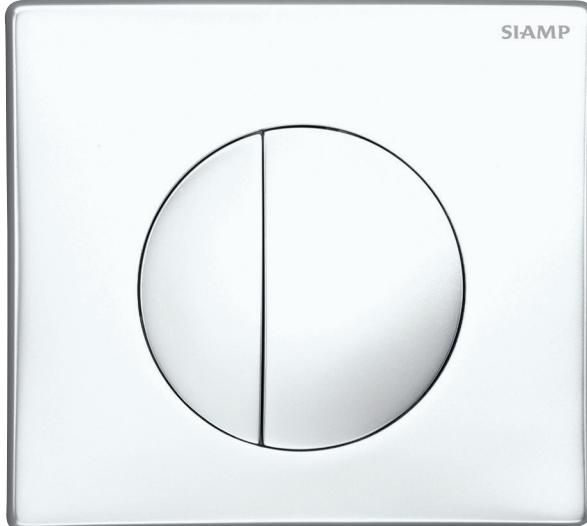
Bright chrome



Matt chrome

MEDIA

Can be installed on Verso 350, 536, 790, Intraslim

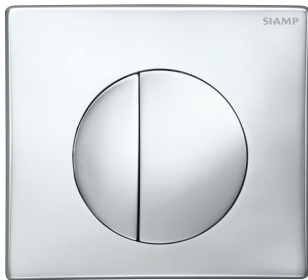


White



FEATURES

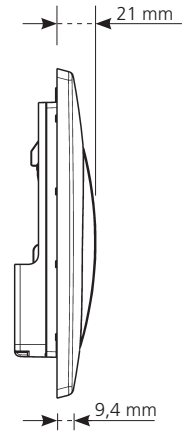
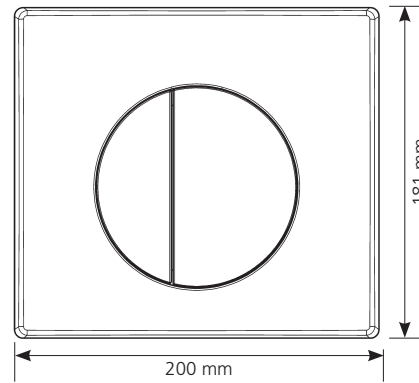
- Partition design
- Made of ABS
- Decorative versions:
  - White
  - Bright chrome (bright chrome for plate and large button and matt chrome aspect for small button)
  - Matt chrome (matt chrome aspect for plate and large button, bright chrome for small button bright)
- Double flush
- Mechanical actuation
- Actuation force below 20 Newton
- Smooth actuating screws to avoid operating noise
- Hand cuttable fixing and actuation screws for adapting length to cladding
- Can be used as hatch for reaching cistern equipment
- Thickness of the cladding (between 16 and 100 mm.)
- Frame back pads to allow support on the cladding



Bright chrome



Matt chrome



	Reference	Barcode	Packing	Packing			Pallet quantity
				Nb	L. x p. x h. (mm)	Kg	
MEDIA Bright chrome	31 1820 10	3 24723 001686 0	Box	1	216 x 193 x 44	0,40	40
MEDIA White	31 1818 10	3 24723 001684 6	Box	1	216 x 193 x 44	0,40	40
MEDIA Mat Chrome Aspect	31 1819 10	3 24723 001685 3	Box	1	216 x 193 x 44	0,40	40

## SMART

Can be installed on Verso 350, 536, 790, Intraslim

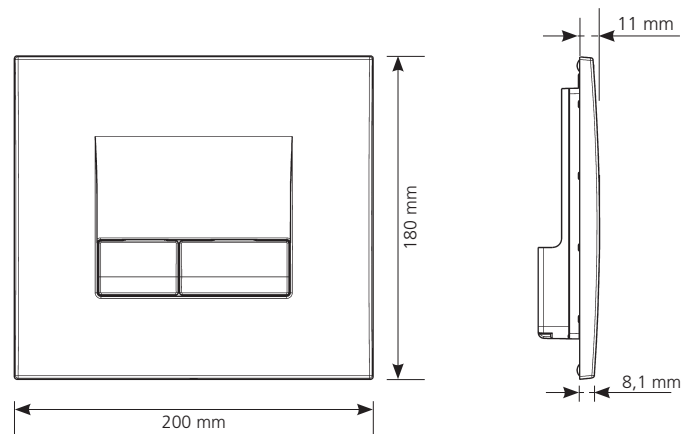


Brushed satinated chrome

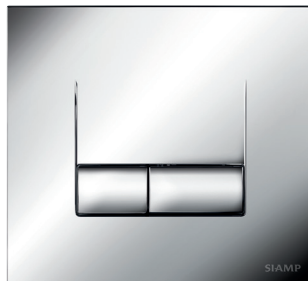


### FEATURES

- Modern and chic design
- Made from aluminium alloy
- Decorative version : brushed satinated chrome, bright chrome, light matt chrome aspect, dark matt chrome aspect
- Fingerprints proof varnished featured on brushed satinated chrome
- Double flush
- Mechanical actuation
- Actuation force below 20 Newton
- Buttons and plate perfect alignment thanks to metallic springs
- Accurate and neat actuation feeling thanks to metallic springs
- Bumpers for preventing buttons to shock against the frame
- Smooth actuating screws to avoid operating noise
- Hand cuttable fixing and actuation screws for adapting length to cladding
- Can be used as hatch for reaching cistern equipment
- Cladding thickness between 16 and 100 mm.
- Frame back pads to allow support on the cladding



Dark matt chrome



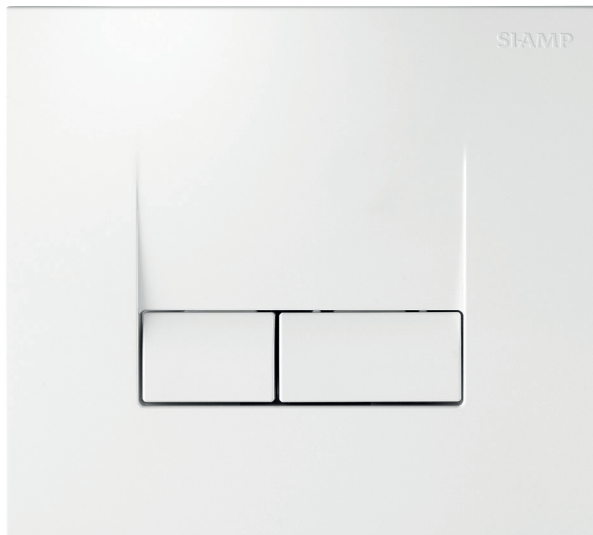
Bright chrome



Clear matt chrome

## SMARTY

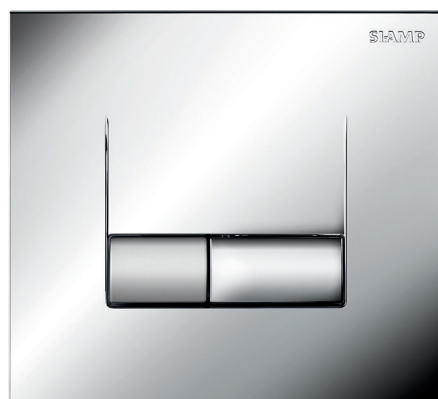
Can be installed on Verso 350, 536, 790, Intraslim



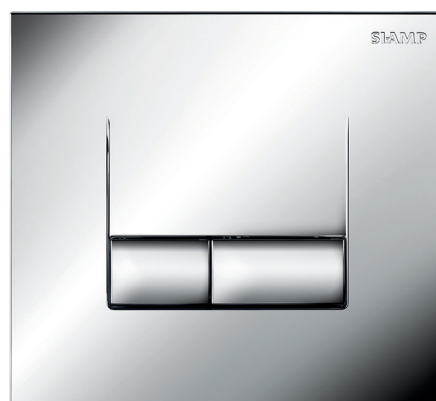
White



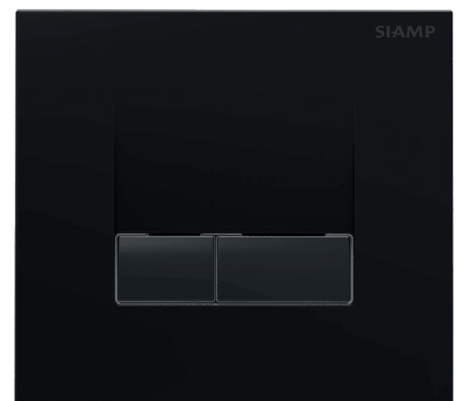
Matt chrome



Bright chrome



100% bright chrome

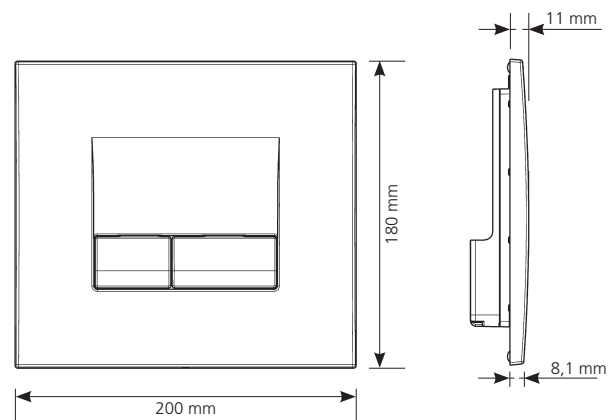


Black



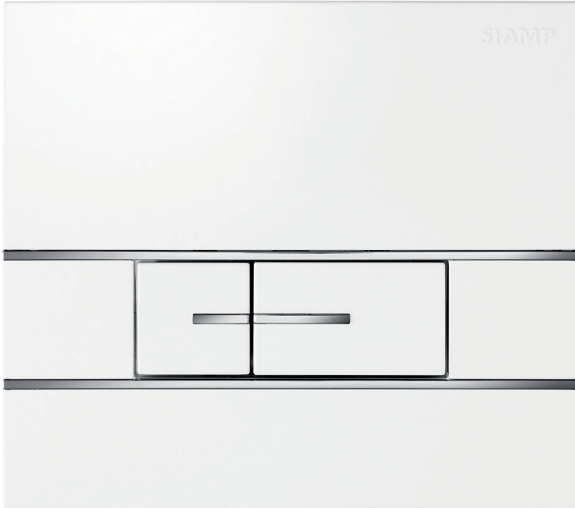
### FEATURES

- Modern and chic design
- Made from ABS
- Decorative versions:
  - White
  - Bright chrome (bright chrome for plate and large button and matt chrome aspect for small button)
  - Matt chrome (matt chrome aspect for plate and large button, bright chrome for small button bright)
- Double flush
- Mechanical actuation
- Actuation force below 20 Newton
- Buttons and plate perfect alignment thanks to metallic springs
- Accurate and neat actuation feeling thanks to metallic springs
- Bumpers for preventing buttons to shock against the frame
- Smooth actuating screws to avoid operating noise
- Hand cuttable fixing and actuation screws for adapting length to cladding
- Can be used as hatch for reaching cistern equipment
- Cladding thickness between 16 and 100 mm
- Frame back pads to allow support on the cladding



## SEGMENT

Can be installed on Verso 350, 536, 790, Intraslim



White & bright chrome inserts

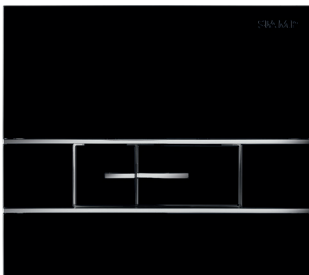
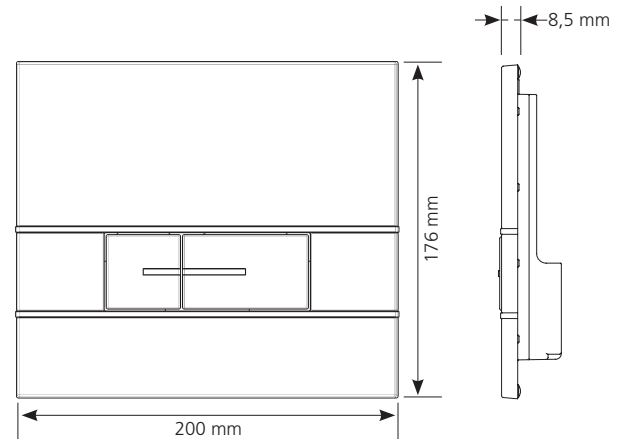


### FEATURES

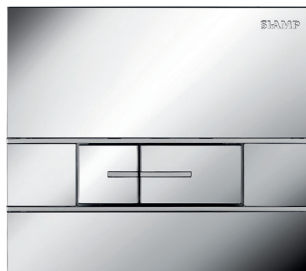
- Modern design underlined by chrome inserts
- Made from ABS
- Double flush
- Mechanical actuation
- Actuation force below 20 Newton
- Buttons and plate perfect alignment thanks to metallic springs
- Accurate and neat actuation feeling thanks to metallic springs
- Bumpers for preventing buttons to shock against the frame
- Smooth actuating screws to avoid operating noise
- Hand cuttable fixing and actuation screws for adapting length to cladding
- Can be used as hatch for reaching cistern equipment
- Cladding thickness between 16 and 100 mm.
- Frame back pads to allow support on the cladding

### Decorative versions:

Plate and Buttons	Inserts	
	Bright Chrome	Matt Chrome
White	•	
Black	•	
Bright Chrome		•
Stainless steel aspect	•	



Black & bright chrome inserts



Bright chrome & matt chrome inserts

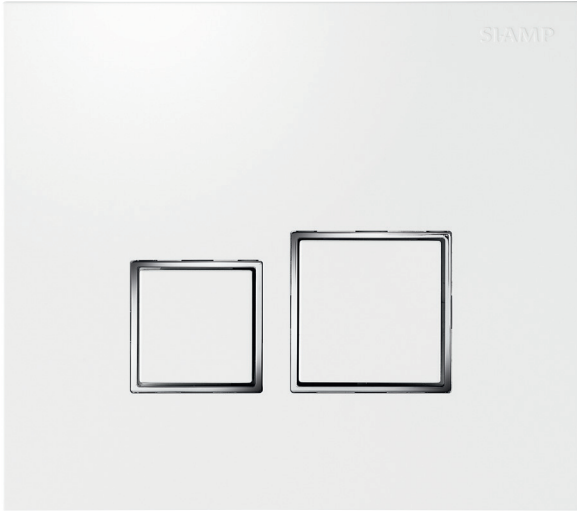


Stainless steel aspect & bright chrome inserts



## SQUARE

Can be installed on Verso 350, 536, 790, Intraslim



White/Bright chrome insert

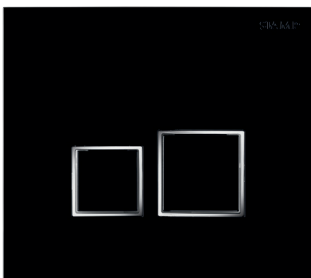
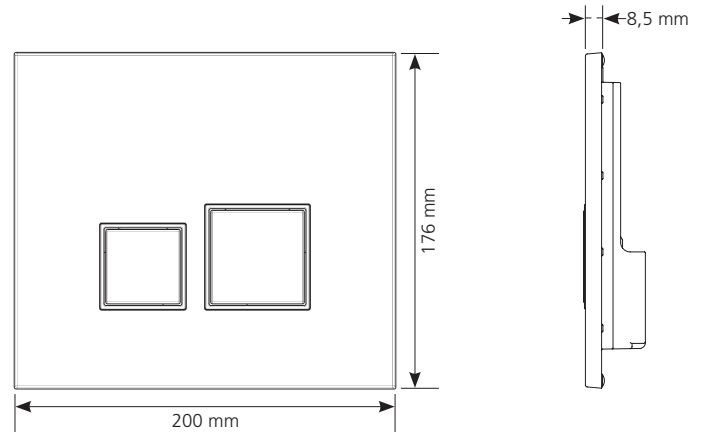


### FEATURES

- Modern and angular design
- Made from ABS
- Double flush
- Mechanical actuation
- Actuation force below 20 Newton
- Buttons and plate perfect alignment thanks to metallic springs
- Accurate and neat actuation feeling thanks to metallic springs
- Bumpers for preventing buttons to shock against the frame
- Smooth actuating screws to avoid operating noise
- Hand cuttable fixing and actuation screws for adapting length to cladding
- Can be used as hatch for reaching cistern equipment
- Cladding thickness between 16 and 100 mm.
- Frame back pads to allow support on the cladding

### Decorative versions:

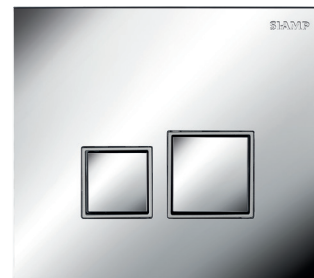
Plate and Buttons	Inserts	
	Bright Chrome	Matt Chrome
White	•	
Black	•	
Bright Chrome		•
Stainless steel aspect	•	



Black & bright chrome inserts



Bright chrome & matt chrome inserts



Stainless steel aspect & bright chrome inserts

## REFLET 360

Can be installed on Verso 350, 536, 790, Intraslim



Glass: white / Buttons: bright chrome

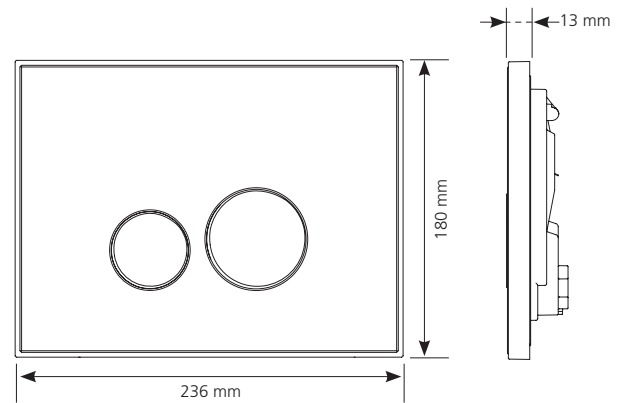


Glass: black / Buttons: bright chrome



### FEATURES

- Modern and round design
- Decorated glass plate with light and depth effects
- Toughened glass
- Decorated ABS buttons
- Double flush
- Mechanical actuation
- Actuation force below 20 Newton
- Buttons and plate perfect alignment thanks to metallic springs
- Accurate and neat actuation feeling thanks to metallic springs
- Shock absorbers for preventing buttons to shock against the frame
- Smooth actuating screws to avoid operating noise
- Hand cuttable fixing and actuation screws for adapting length to cladding
- Can be used as hatch for reaching cistern equipment
- Cladding thickness between 20 and 100 mm
- Frame back pads to allow support on the cladding

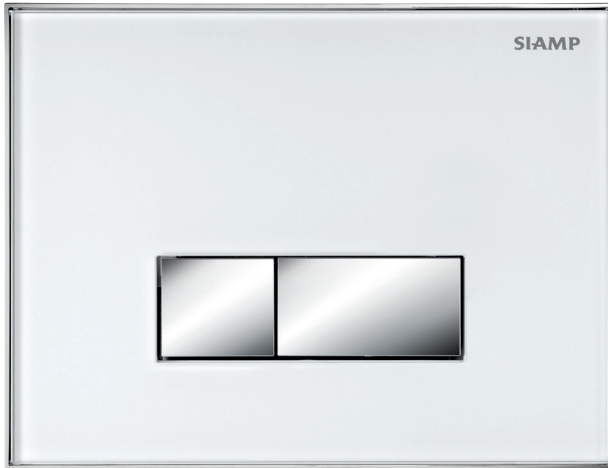


#### Decorative versions:

Glass \ Buttons	Bright Chrome
White	•
Black	•

## REFLET 90

Can be installed on Verso 350, 536, 790, Intraslim



Glass: white / Buttons: bright chrome



Glass: black / Buttons: bright chrome

### Decorative versions:

Glass \ Buttons	Bright Chrome
White	•
Black	•



### FEATURES

- Modern and angular design
- Decorated glass plate with light and depth effects
- Toughened glass for customizable version
- White, black and frosted green versions feature maintaining back adhesive tape
- Decorated ABS buttons
- Double flush
- Mechanical actuation
- Actuation force below 20 Newton
- Buttons and plate perfect alignment thanks to metallic springs
- Accurate and neat actuation feeling thanks to metallic springs
- Shock absorbers for preventing buttons to shock against the frame
- Smooth actuating screws to avoid operating noise
- Hand cuttable fixing and actuation screws for adapting length to cladding
- Can be used as hatch for reaching cistern equipment
- Cladding thickness between 20 and 100 mm
- Frame back pads to allow support on the cladding

