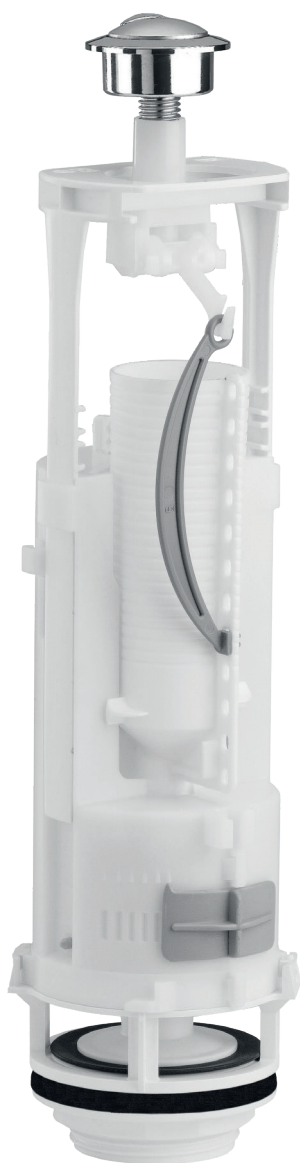


OPTIMA 49

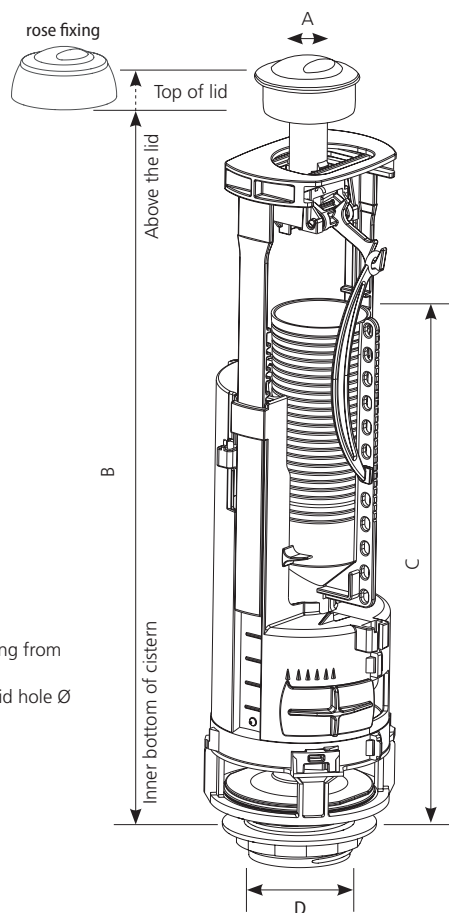
Double flush / With Bracket



FEATURES

- To be installed into plastic or ceramic cisterns
- Push button: **double flush**
- **Actuation effort below 20N**
- For lid holes ranging from \varnothing 16 to 50mm, with or without escutcheon depending on the diameter
- Button off-center +/- 15mm
- **Adjustable bracket every 12mm, allows maintaining lid**
- Adjustable overflow every 4mm
- **Adjustable small flush**
- **Adjustable dead water level**
- High flow rate plug (2.75l/s), made from ABS, heavy duty design
- NR/EPDM valve for a total tightness
- SBS moulded elastomer plug seal, shape and elasticity reinforce tightness
- Foam pan seal for compensating pan irregularity
- Available for one-piece toilet

A : \varnothing lid holes



Compatible with:

- Lid hole \varnothing (A) from 16 to 50mm
- Drainage hole \varnothing (D) from 58 to 72mm

Adjustable height (B):

- With escutcheon: from 282 to 430mm (lid hole \varnothing ranging from 16 to 38mm and 43 to 50mm)
- Without: from 300 to 448mm (lid hole \varnothing ranging from 39 to 42mm)

Adjustable overflow height (C):

155 to 245mm

Base EG pull

Simple flush / Pull actuation



2" OR 1 1/2"

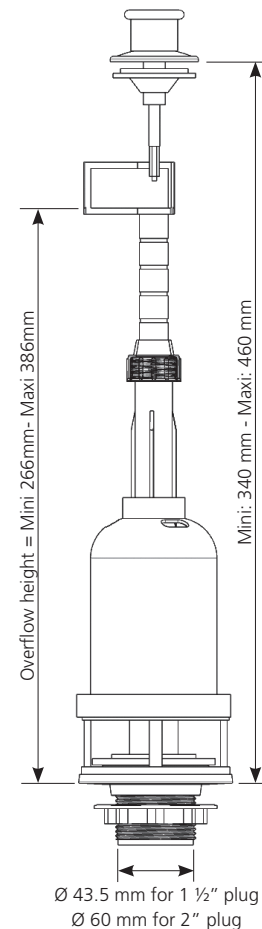


FEATURES

- To be installed into plastic or ceramic cisterns
- Pull button: **simple flush**
- **Actuation effort below 10N**
- For lid holes ranging from 13 to 30 mm
- Button off-center over a range of up to 35 mm
- **Adjustable height allows to adapt to the cistern design**
- **Adjustable telescopic overflow every 14 mm**
- High flow rate plug (2 L/s), made from PP, heavy duty design
- Rubber valve for a total tightness
- Moulded rubber plug seal, shape and elasticity reinforce tightness
- Rubber pan seal for compensating pan irregularity
- Available in 1.5" et 2" plug

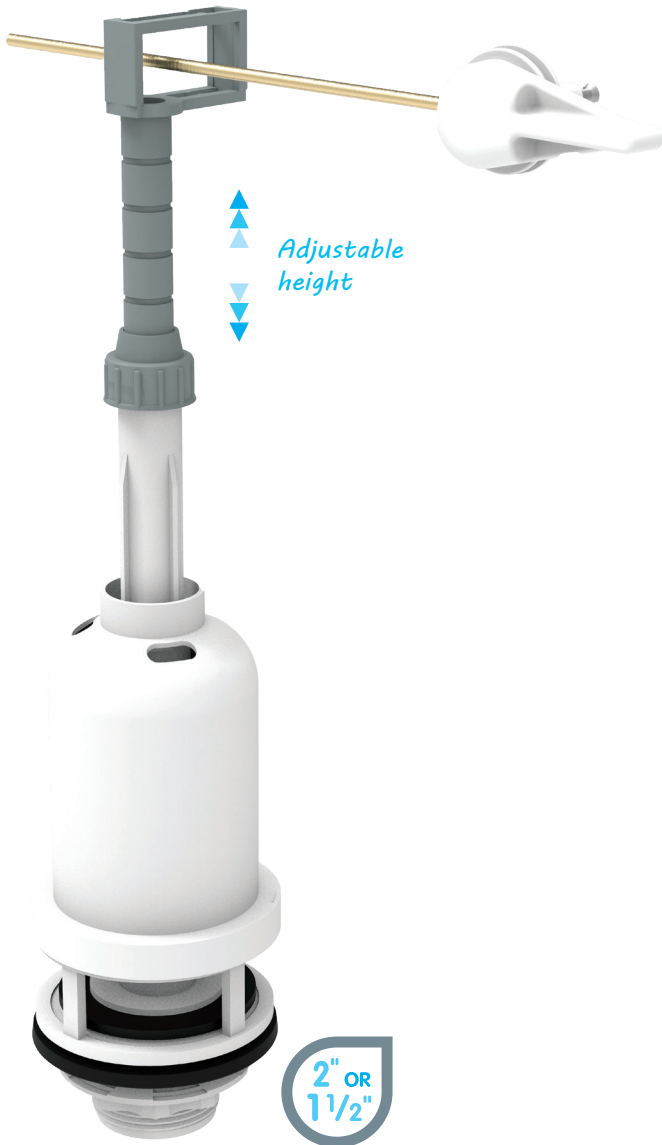
Available in complete set supplied with Classic 24 EG Inlet Valve:

Product Name	Product code	EAN code	Packaging
Base EG Pull 1,5" - Classic 24 EG	10 0132 52	3 24723 016427 1	Box
Base EG Pull 2" - Classic 24 EG	10 0132 53	3 24723 016428 8	Box



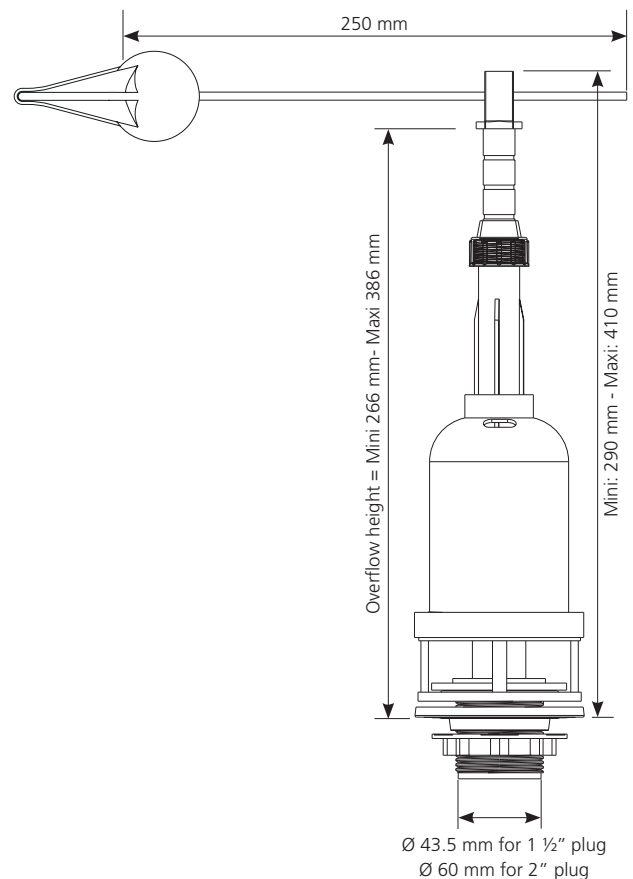
Base EG Twist

Simple flush / Twist actuation



FEATURES

- To be installed into plastic or ceramic cisterns
- Frontal actuation: **simple flush**
- **Adjustable height allows to adapt to the cistern design**
- **Adjustable telescopic overflow every 14mm**
- High flow rate plug (2 L/s), made from PP, heavy duty design
- Rubber valve for a total tightness
- Rubber plug seal, shape and elasticity reinforce tightness
- Rubber pan seal for compensating pan irregularity
- Available in 1,5" and 2" plug



Available in complete set supplied with Classic 24 EG Inlet Valve:

Product Name	Product code	EAN code	Packaging
Base EG Twist 1,5" + Classic 24 EG 1/2 P	10 0132 54	3 24723 016429 5	Box
Base EG Twist 2" + Classic 24 EG 1/2 P	10 0132 55	3 24723 016430 1	Box

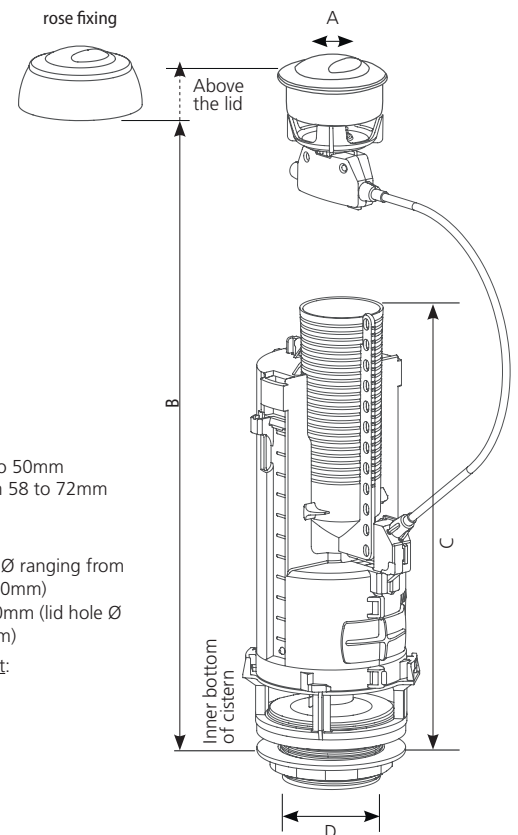
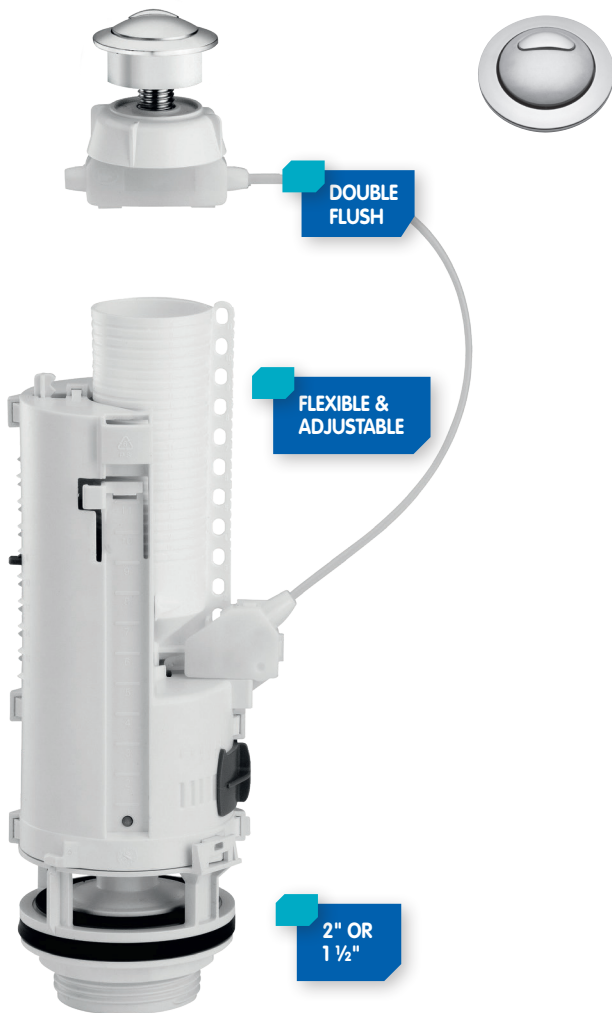
OPTIMA 50

Double flush with cable



FEATURES

- To be installed into plastic or ceramic cisterns
- Water saving: **dual push button**
- Cable command allowing side or front offsetting
- **Actuation effort below 20N**
- For lid holes ranging from 16 to 50 mm
- **Adjustable overflow every 4mm**
- Cable command to automatically adapt to the height of the tank
- **Adjustable small flush**
- **Adjustable dead water level**
- High flow rate plug (2.75l/s), made from ABS, heavy duty design
- NR/EPDM valve for a total tightness
- SBS moulded elastomer plug seal, shape and elasticity reinforced tightness
- Available in 1,5 and 2"



Compatible with:

- Lid hole (A), Ø from 16 to 50mm
- Drainage hole (D) Ø from 58 to 72mm

Adjustable height (B)

- With escutcheon: from 272 to 465 mm (lid hole Ø ranging from 16 to 38mm and 43 to 50mm)
- Without: from 287 à 480mm (lid hole Ø ranging from 39 to 42mm)

Adjustable overflow height:

from 149 to 245mm (C)

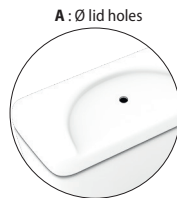
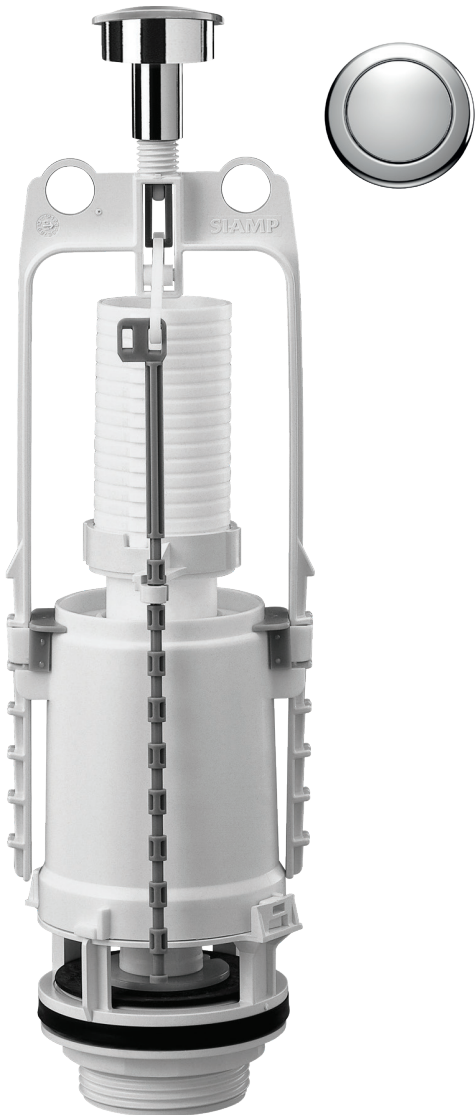
SWITCH 22A

Single flush interruptible



FEATURES

- To be installed into plastic or ceramic cisterns
- **Water saving: interruptible flush**
 - 1st actioning for full flush
 - 2nd actioning for stopping running flush
- **Actuation effort below 20N**
- For lid holes ranging from 18 to 50mm, with or without rosette depending on diameter
- Adjustable bracket, allows maintaining lid
- Adjustable overflow every 5mm
- High flow rate plug (2.75l/s), made from ABS, heavy duty design
- NR/EPDM valve for a total tightness
- SBS moulded elastomer plug seal, shape and elasticity reinforced tightness
- Foam pan seal for compensating pan irregularity



Compatible with:

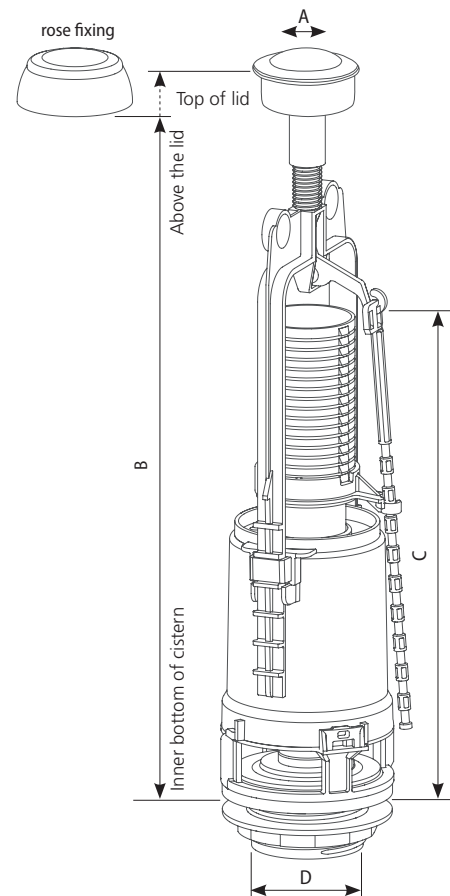
- Lid hole (A), \varnothing 18 to 50mm
- Drainage hole (D) \varnothing from 58 to 72mm

Adjustable height (B):

- With rosette: from 305 to 339mm (Lid hole (A) \varnothing 18 to 38mm)
- Without: from 321 to 415mm (Lid hole A, \varnothing 39 to 42mm)

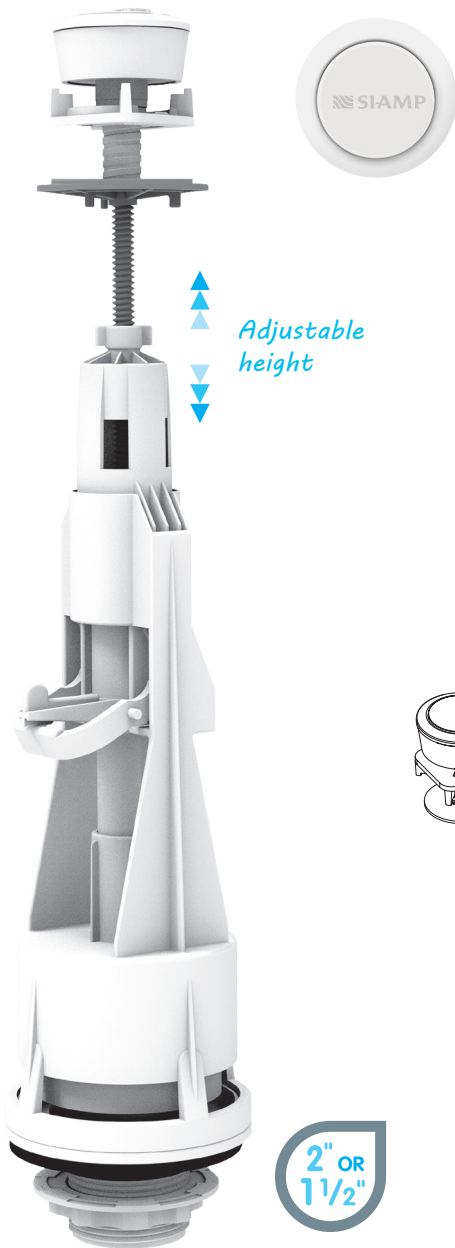
Adjustable overflow height:

- 180 to 240mm (C)



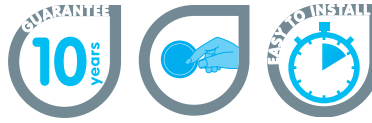
Storm EG push

Simple flush / Push actuation



Adjustable height

2" OR 1 1/2"

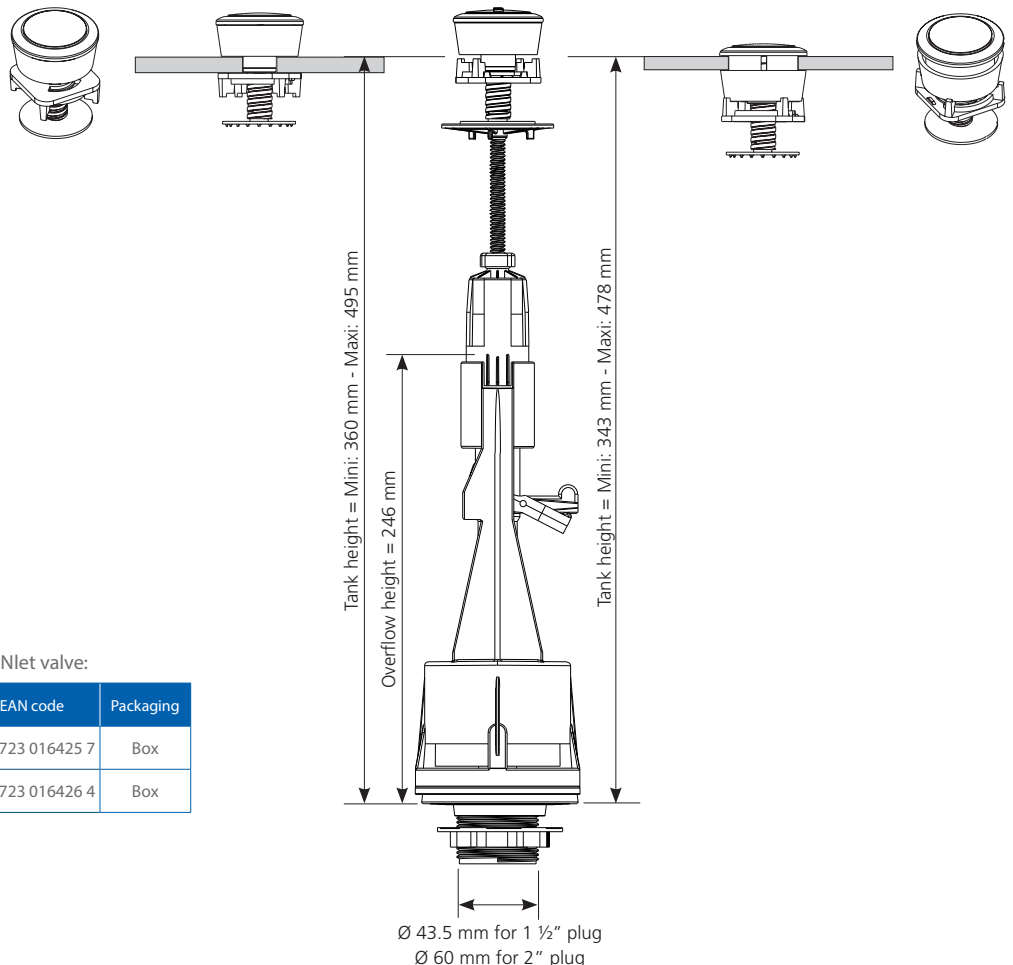


FEATURES

- To be installed into plastic or ceramic cisterns
- Push button: **simple flush**
- **Actuation effort below 20N**
- For lid holes ranging from 20 to 44mm, with or without escutcheon depending on the diameter
- Adjustable height thanks to the grey screw, allows adapting to the height of the tanks
- High flow rate plug (2.1 L/s), made from PP, heavy duty design
- Rubber valve for a total tightness
- Foam plug seal (rubber in case 1.5"), shape and elasticity reinforce tightness
- Foam pan seal for compensating pan irregularity
- Available in both 1.5" et 2" plugs

20 ~ 35 mm Ø

38 ~ 44 mm Ø



Available in complete set supplied with Classic 24 EG INlet valve:

Product Name	Product code	EAN code	Packaging
Set Storm EG Push 1,5"+ Classic 24 EG	10 0132 49	3 24723 016425 7	Box
Set Storm EG Push 2"+ Classic 24 EG	10 0132 51	3 24723 016426 4	Box

COMPACT 99B/99T

Hydraulic



FEATURES

- To be installed into ceramic or plastic cisterns, for replacement or as original equipment
- **Hydraulic closure** (no water hammer shock)
- **Adjustable water level**
- **Silent**
- Anti-backflow function
- Brass or plastic versions end fitting
- Telescopic version available
- **Pressure function range:** from 0.5 to 16 bars (low pressure and high pressure)
- **Refill option** for each of the 4 models



99B
high pressure
From 0.5 to 16 bars
Flow rate:
0.14l/s at 3 bars



99 B high
and low pressure
0.5 to 16 bars / flow rate:
0.15l/s at 3 bars
0.2 to 5 bars /
flow rate:
0.25l/s at 3 bars



99T
high pressure
0.5 to 16 bars
flow rate:
0.14l/s at 3 bars



99 T
low pressure
0.2 to 5 bars
flow rate: 0.25l/s
at 3 bars



1/2 and 15/16 plastic

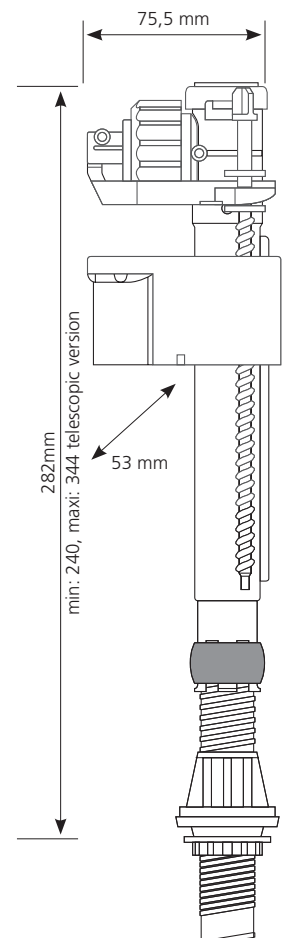


1/2 and 3/8 brass



1/2 plastic

TELESCOPIC



Classic 24 EG

Bottom-entry Mechanical Inlet Valve



FEATURES

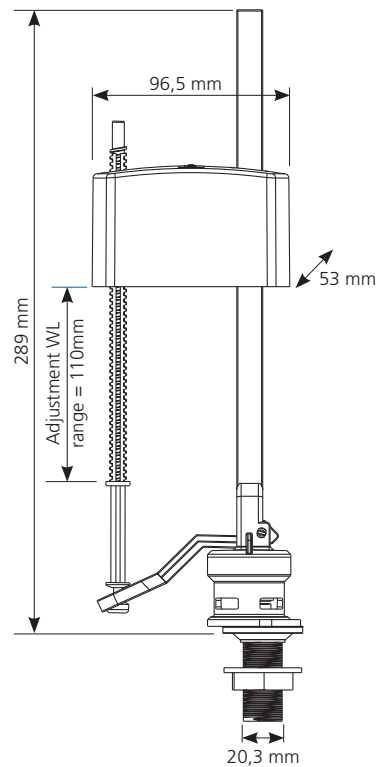
- **Compact**
- To be installed into ceramic or plastic, recessed or at sight cisterns, for replacement or as original equipment
- **Mechanical Closure**
- Adjustable water level (Every 1 mm)
- Adjustment Water Level (WL) range: 110 mm
- 1/2" plastic end-fitting
- **Flow rate:** 0.25 L/s at 3 bars
- **Pressure function range:** from 1 to 10 bars



BOTTOM ENTRY



1/2 plastic



Product Name	Product code	EAN code	Packaging
Classic 24 EG 1/2 P	10 0135 39	3 24723 016498 1	Plastic bag