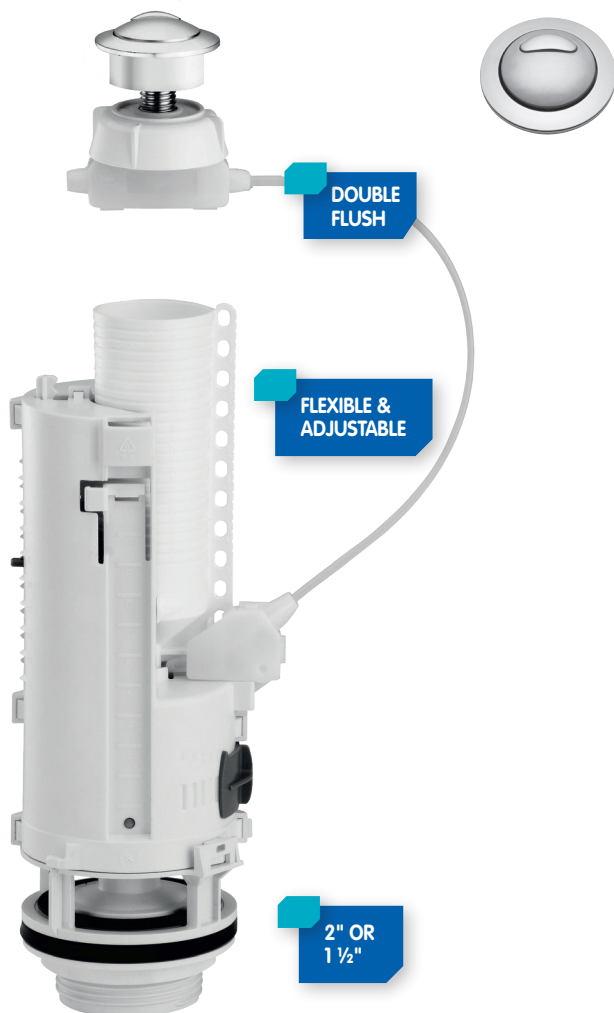


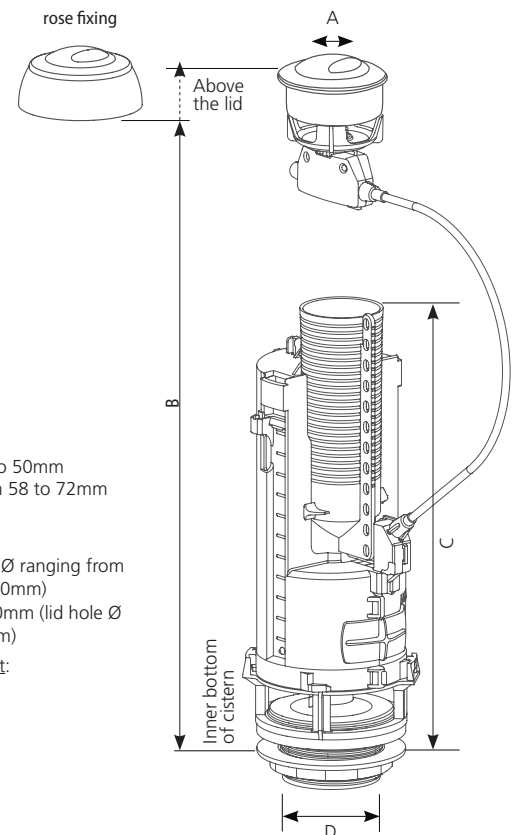
## OPTIMA 50

Double flush with cable



### FEATURES

- To be installed into plastic or ceramic cisterns
- Water saving: **dual push button**
- Cable command allowing side or front offsetting
- **Actuation effort below 20N**
- For lid holes ranging from 16 to 50 mm
- **Adjustable overflow every 4mm**
- Cable command to automatically adapt to the height of the tank
- **Adjustable small flush**
- **Adjustable dead water level**
- High flow rate plug (2.75l/s), made from ABS, heavy duty design
- NR/EPDM valve for a total tightness
- SBS moulded elastomer plug seal, shape and elasticity reinforced tightness
- Available in 1,5 and 2"



#### Compatible with:

- Lid hole (A), Ø from 16 to 50mm
- Drainage hole (D) Ø from 58 to 72mm

#### Adjustable height (B)

- With escutcheon: from 272 to 465 mm (lid hole Ø ranging from 16 to 38mm and 43 to 50mm)
- Without: from 287 à 480mm (lid hole Ø ranging from 39 to 42mm)

#### Adjustable overflow height:

from 149 to 245mm (C)