

## Classic 24 EG

Bottom-entry Mechanical Inlet Valve



### FEATURES

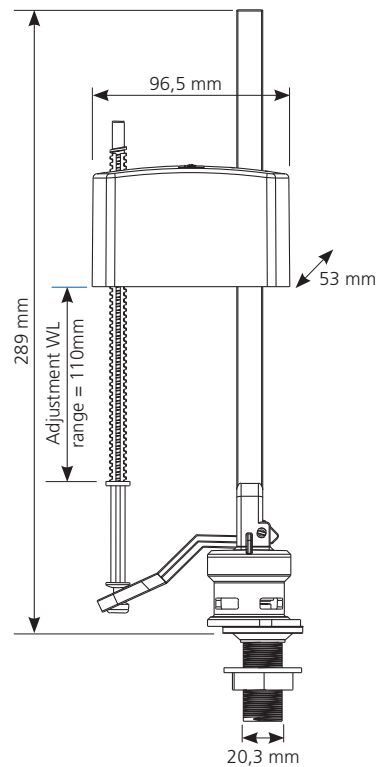
- **Compact**
- To be installed into ceramic or plastic, recessed or at sight cisterns, for replacement or as original equipment
- **Mechanical Closure**
- Adjustable water level (Every 1 mm)
- Adjustment Water Level (WL) range: 110 mm
- 1/2" plastic end-fitting
- **Flow rate:** 0.25 L/s at 3 bars
- **Pressure function range:** from 1 to 10 bars



**BOTTOM ENTRY**



1/2 plastic



Product Name	Product code	EAN code	Packaging
Classic 24 EG 1/2 P	10 0135 39	3 24723 016498 1	Plastic bag