

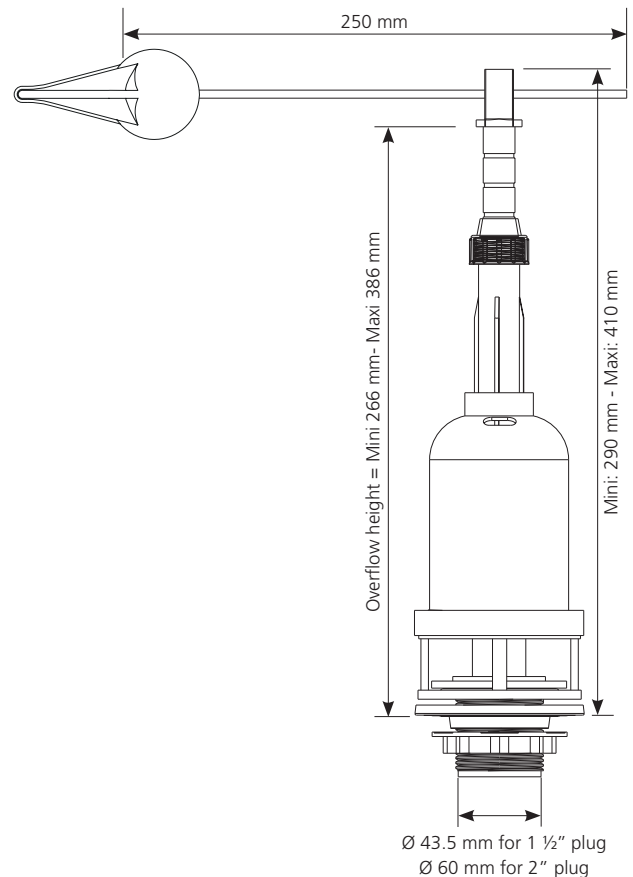
Base EG Twist

Simple flush / Twist actuation



FEATURES

- To be installed into plastic or ceramic cisterns
- Frontal actuation: **simple flush**
- **Adjustable height allows to adapt to the cistern design**
- **Adjustable telescopic overflow every 14mm**
- High flow rate plug (2 L/s), made from PP, heavy duty design
- Rubber valve for a total tightness
- Rubber plug seal, shape and elasticity reinforce tightness
- Rubber pan seal for compensating pan irregularity
- Available in 1,5" and 2" plug



Available in complete set supplied with Classic 24 EG Inlet Valve:

Product Name	Product code	EAN code	Packaging
Base EG Twist 1,5" + Classic 24 EG 1/2 P	10 0132 54	3 24723 016429 5	Box
Base EG Twist 2" + Classic 24 EG 1/2 P	10 0132 55	3 24723 016430 1	Box

Classic 24 EG

Bottom-entry Mechanical Inlet Valve



FEATURES

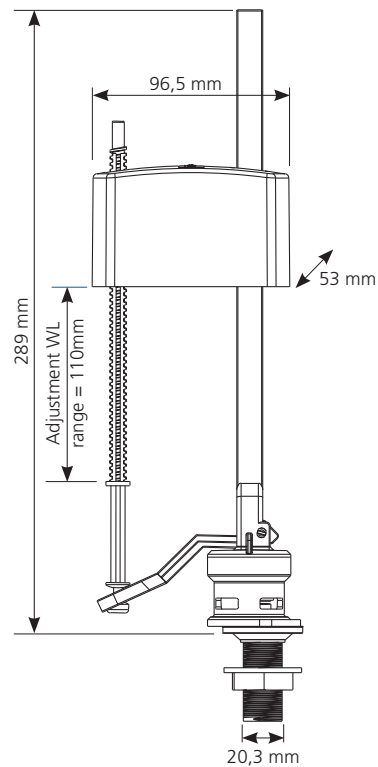
- **Compact**
- To be installed into ceramic or plastic, recessed or at sight cisterns, for replacement or as original equipment
- **Mechanical Closure**
- Adjustable water level (Every 1 mm)
- Adjustment Water Level (WL) range: 110 mm
- 1/2" plastic end-fitting
- **Flow rate:** 0.25 L/s at 3 bars
- **Pressure function range:** from 1 to 10 bars



BOTTOM ENTRY



1/2 plastic



Product Name	Product code	EAN code	Packaging
Classic 24 EG 1/2 P	10 0135 39	3 24723 016498 1	Plastic bag