

Base EG pull

Simple flush / Pull actuation



2" OR 1 1/2"

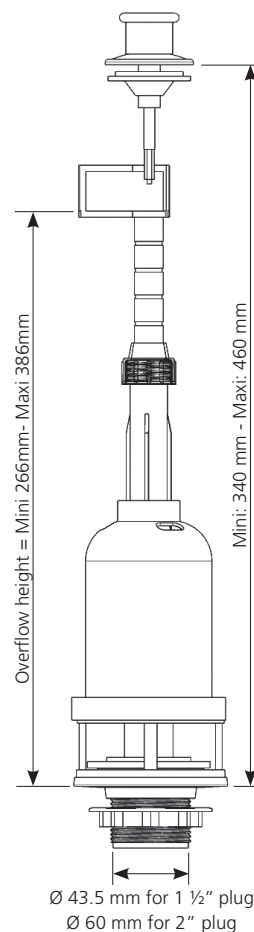


FEATURES

- To be installed into plastic or ceramic cisterns
- Pull button: **simple flush**
- **Actuation effort below 10N**
- For lid holes ranging from 13 to 30 mm
- Button off-center over a range of up to 35 mm
- **Adjustable height allows to adapt to the cistern design**
- **Adjustable telescopic overflow every 14 mm**
- High flow rate plug (2 L/s), made from PP, heavy duty design
- Rubber valve for a total tightness
- Moulded rubber plug seal, shape and elasticity reinforce tightness
- Rubber pan seal for compensating pan irregularity
- Available in 1.5" et 2" plug

Available in complete set supplied with Classic 24 EG Inlet Valve:

Product Name	Product code	EAN code	Packaging
Base EG Pull 1,5" - Classic 24 EG	10 0132 52	3 24723 016427 1	Box
Base EG Pull 2" - Classic 24 EG	10 0132 53	3 24723 016428 8	Box



Classic 24 EG

Bottom-entry Mechanical Inlet Valve



FEATURES

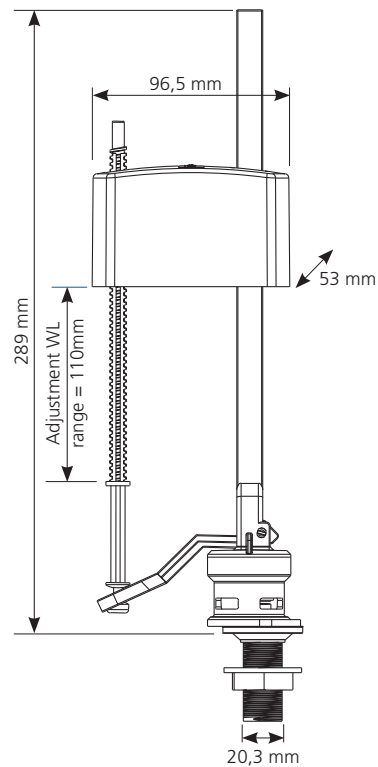
- **Compact**
- To be installed into ceramic or plastic, recessed or at sight cisterns, for replacement or as original equipment
- **Mechanical Closure**
- Adjustable water level (Every 1 mm)
- Adjustment Water Level (WL) range: 110 mm
- 1/2" plastic end-fitting
- **Flow rate:** 0.25 L/s at 3 bars
- **Pressure function range:** from 1 to 10 bars



BOTTOM ENTRY



1/2 plastic



Product Name	Product code	EAN code	Packaging
Classic 24 EG 1/2 P	10 0135 39	3 24723 016498 1	Plastic bag