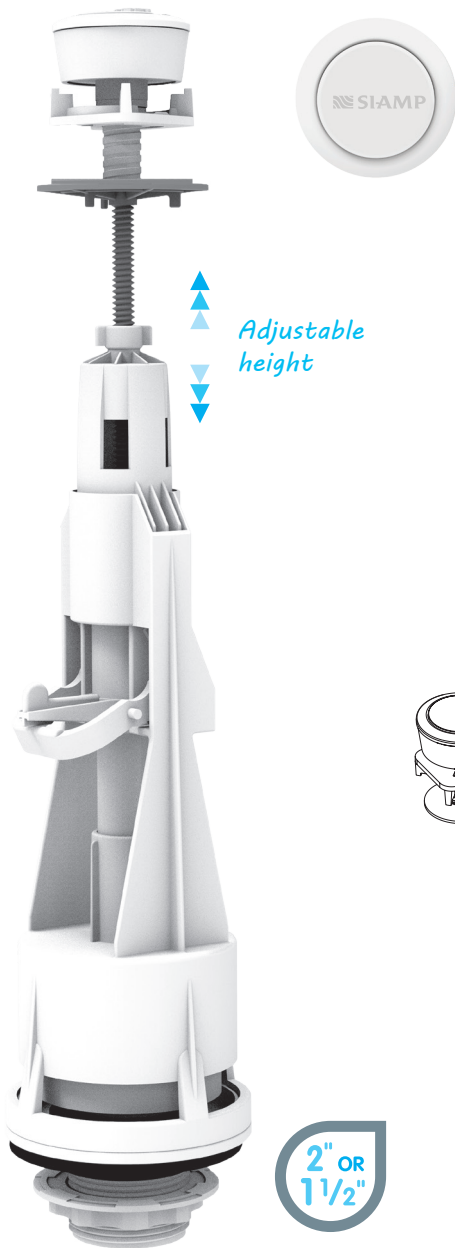


## Storm EG push

Simple flush / Push actuation



Adjustable height

2" OR 1 1/2"

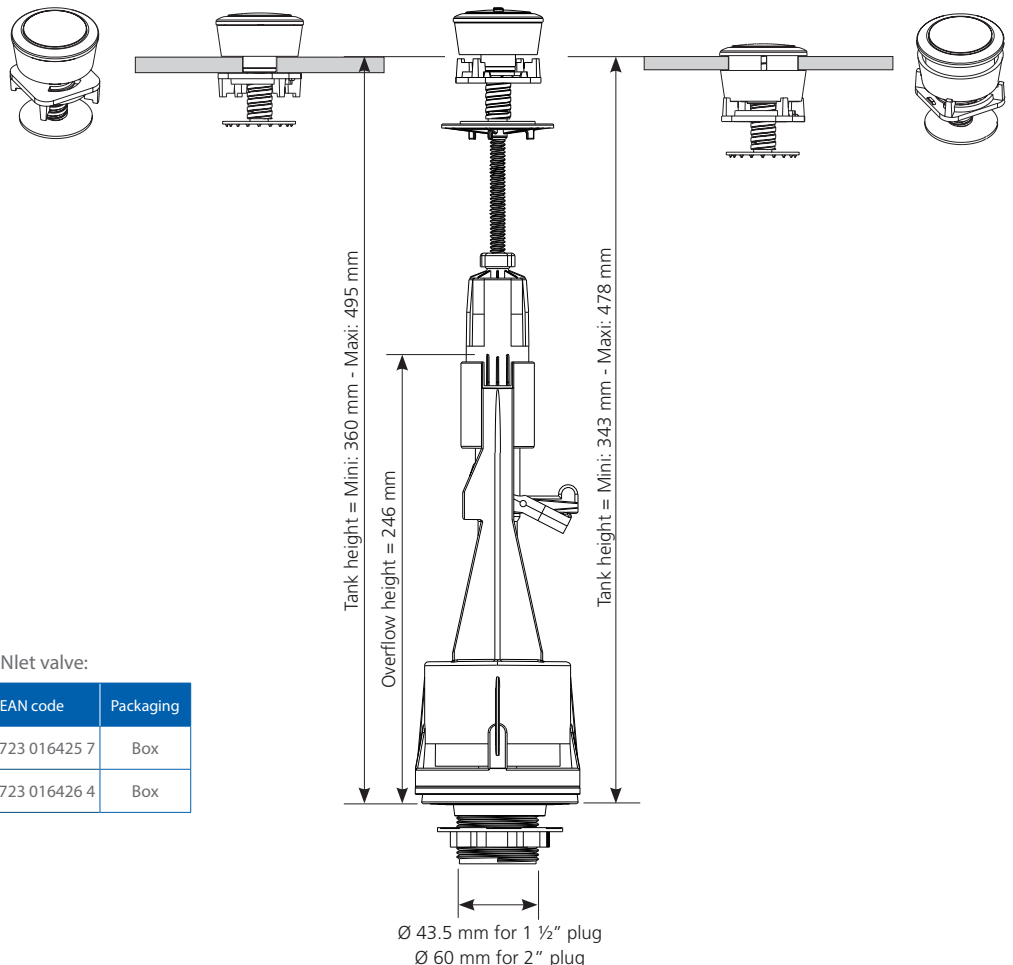


### FEATURES

- To be installed into plastic or ceramic cisterns
- Push button: **simple flush**
- **Actuation effort below 20N**
- For lid holes ranging from 20 to 44mm, with or without escutcheon depending on the diameter
- Adjustable height thanks to the grey screw, allows adapting to the height of the tanks
- High flow rate plug (2.1 L/s), made from PP, heavy duty design
- Rubber valve for a total tightness
- Foam plug seal (rubber in case 1.5"), shape and elasticity reinforce tightness
- Foam pan seal for compensating pan irregularity
- Available in both 1.5" et 2" plugs

20 ~ 35 mm Ø

38 ~ 44 mm Ø



Available in complete set supplied with Classic 24 EG INlet valve:

Product Name	Product code	EAN code	Packaging
Set Storm EG Push 1,5"+ Classic 24 EG	10 0132 49	3 24723 016425 7	Box
Set Storm EG Push 2"+ Classic 24 EG	10 0132 51	3 24723 016426 4	Box

## Classic 24 EG

Bottom-entry Mechanical Inlet Valve



### FEATURES

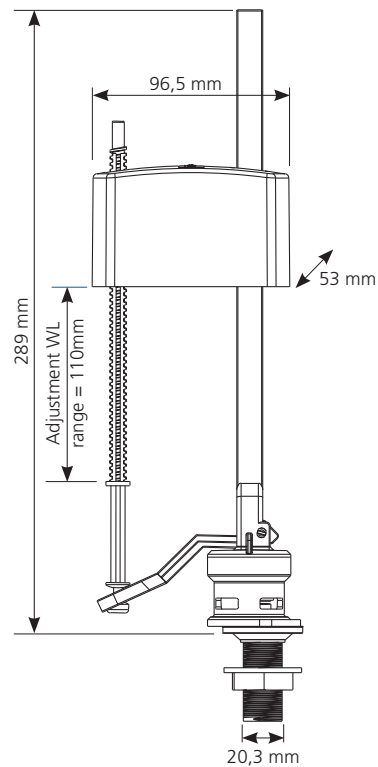
- **Compact**
- To be installed into ceramic or plastic, recessed or at sight cisterns, for replacement or as original equipment
- **Mechanical Closure**
- Adjustable water level (Every 1 mm)
- Adjustment Water Level (WL) range: 110 mm
- 1/2" plastic end-fitting
- **Flow rate:** 0.25 L/s at 3 bars
- **Pressure function range:** from 1 to 10 bars



**BOTTOM ENTRY**



1/2 plastic



Product Name	Product code	EAN code	Packaging
Classic 24 EG 1/2 P	10 0135 39	3 24723 016498 1	Plastic bag